

RESOLUTION NO. 23-47

A RESOLUTION OF THE MAYOR AND CITY COUNCIL OF THE CITY OF MARICOPA, ARIZONA, ACCEPTING PUBLIC IMPROVEMENTS AND MAINTENANCE RESPONSIBILITY FOR SOUTHBOUND LANES AND MEDIAN OF PORTER ROAD FROM SMITH ENKE TO HONEYCUTT ROAD, INTO THE CITY STREET/ROAD MAINTENANCE SYSTEM.

WHEREAS, the City has received a request from the owner/developer to accept public improvements and maintenance responsibility for southbound lanes and median of Porter Road between Smith Enke and Honeycutt Road, into the City street/road maintenance system; and

WHEREAS, it appears that the public improvements in question have been properly dedicated for public use; and


WHEREAS, the Maricopa Development Services Department has inspected the public improvements and has notified the Maricopa City Council that the public improvements have been installed to the satisfaction of Maricopa Development Services Department; and

WHEREAS, it appears to the Maricopa City Council that the current owner has paid to the City the appropriate Subdivision Street Maintenance Fee, as established by Resolution 04-16, and any other applicable fees relating to the property.


NOW, THEREFORE, BE IT RESOLVED that the Maricopa and City Council hereby accepts the southbound lanes and median of Porter Road between Smith Enke and Honeycutt Road, as indicated on the maps attached as Exhibit "A" hereto, into the City road system for purposes of public use, ownership and future maintenance.

PASSED AND ADOPTED BY THE Mayor and Council of the City of Maricopa, Arizona, this 5th day of September 2023.

APPROVED:


Nancy Smith
Mayor

ATTEST:


Vanessa Bueras, MMC
City Clerk



APPROVED AS TO FORM:

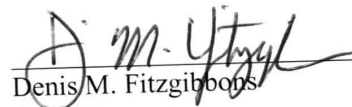
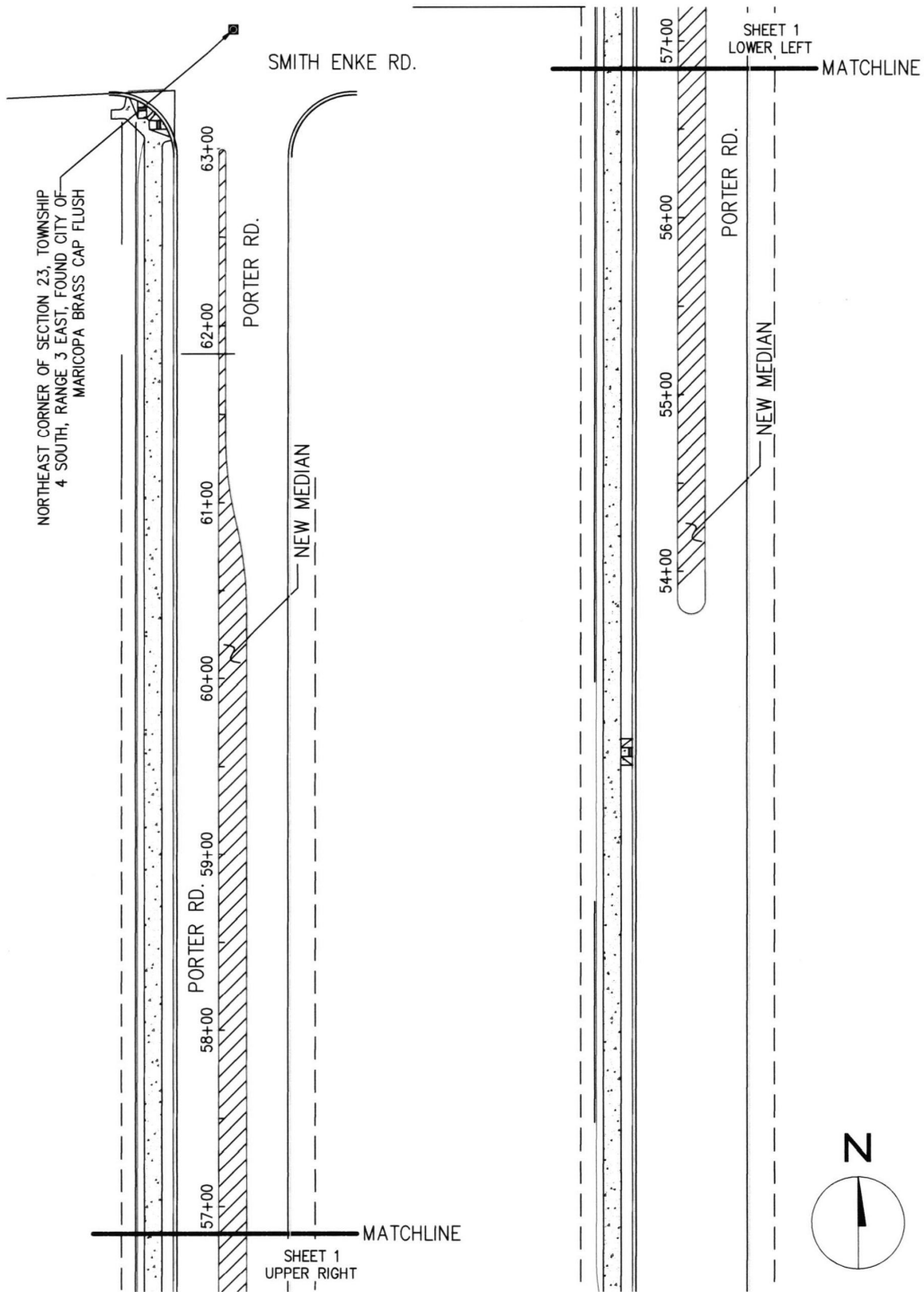

Denis M. Fitzgibbons
City Attorney

EXHIBIT A



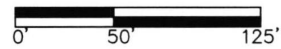
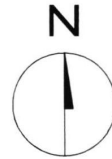
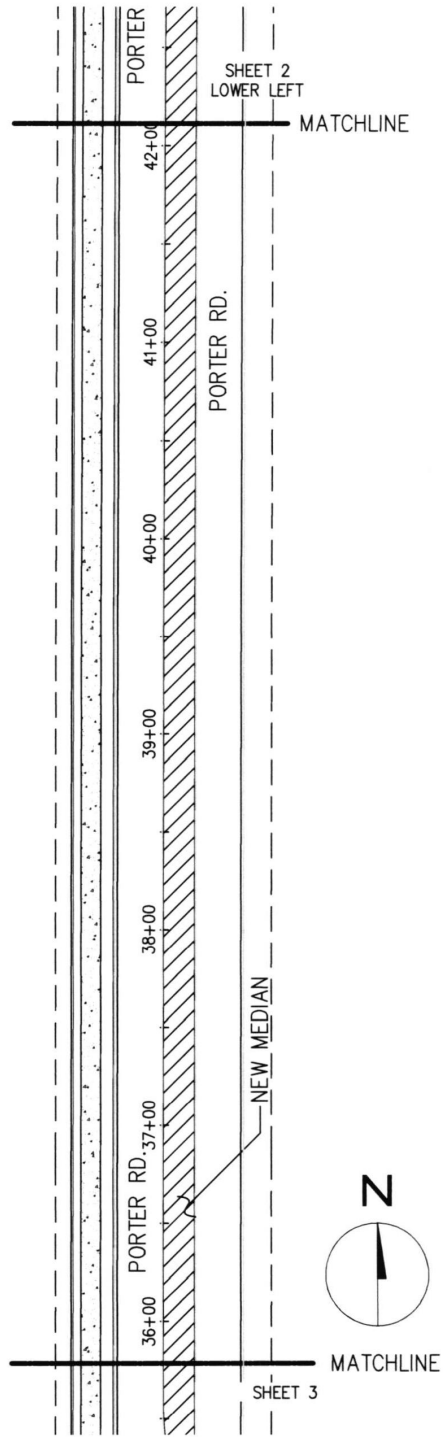
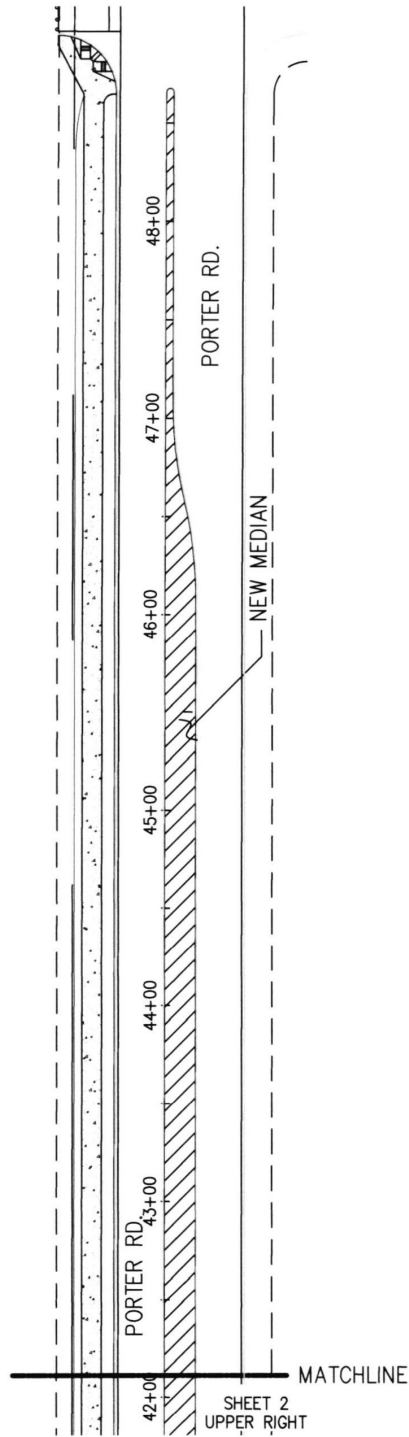
SHEET:
1 OF 5

DATE: 08/08/22
DRAWN: E.R.

EXHIBIT 'A' - PORTER ROAD IMPROVEMENTS

CITY OF MARICOPA, AZ.



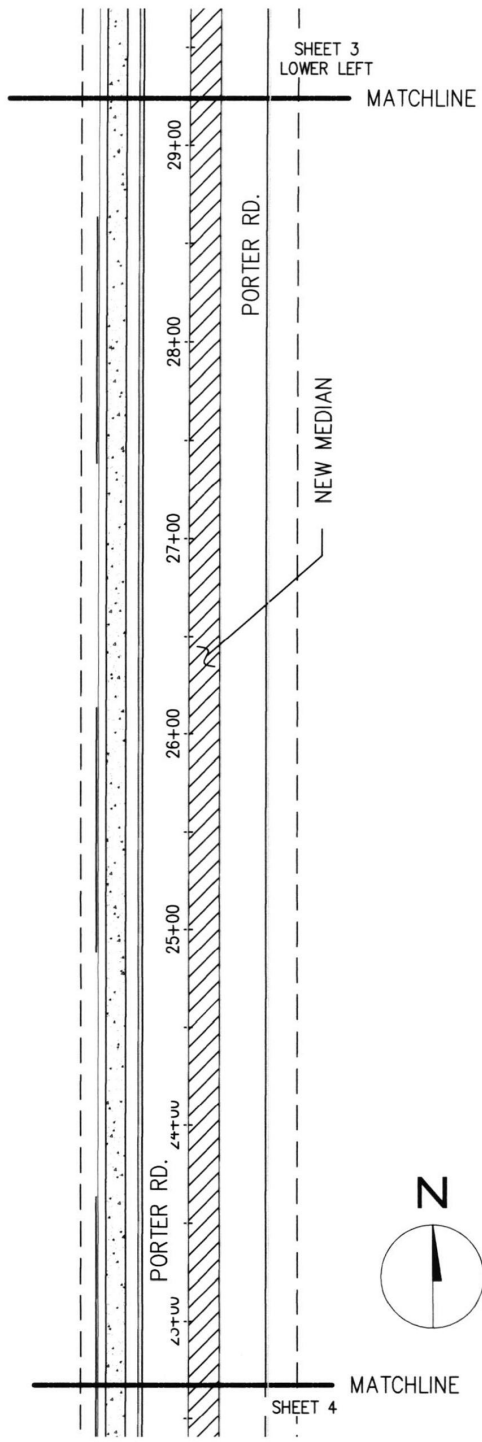
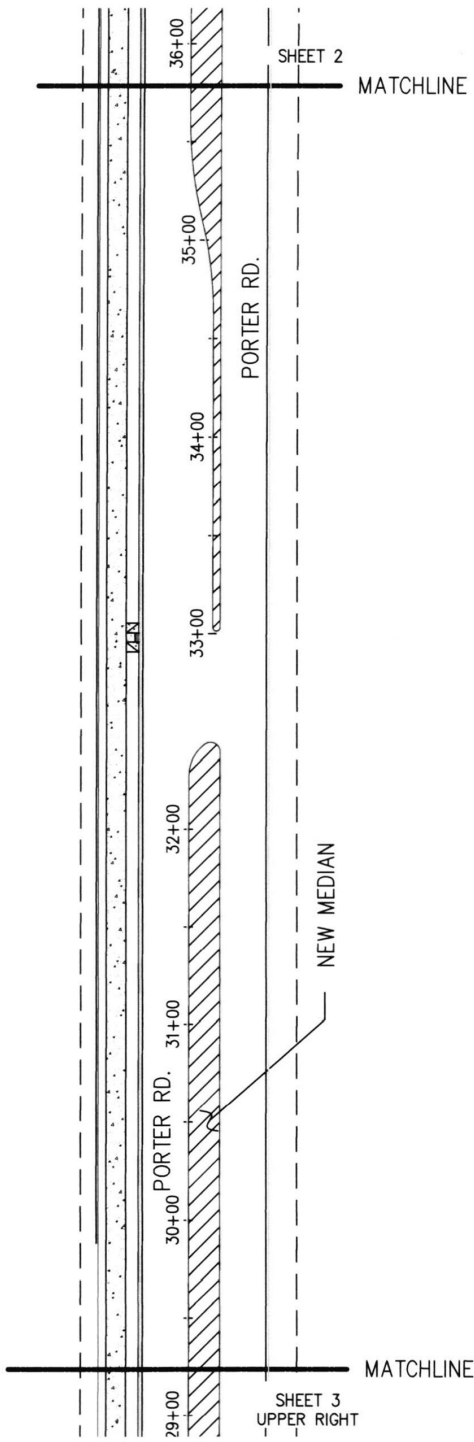


SHEET:
2 OF 5

DATE: 08/08/22
DRAWN: E.R.

EXHIBIT 'A' - PORTER ROAD IMPROVEMENTS
CITY OF MARICOPA, AZ.



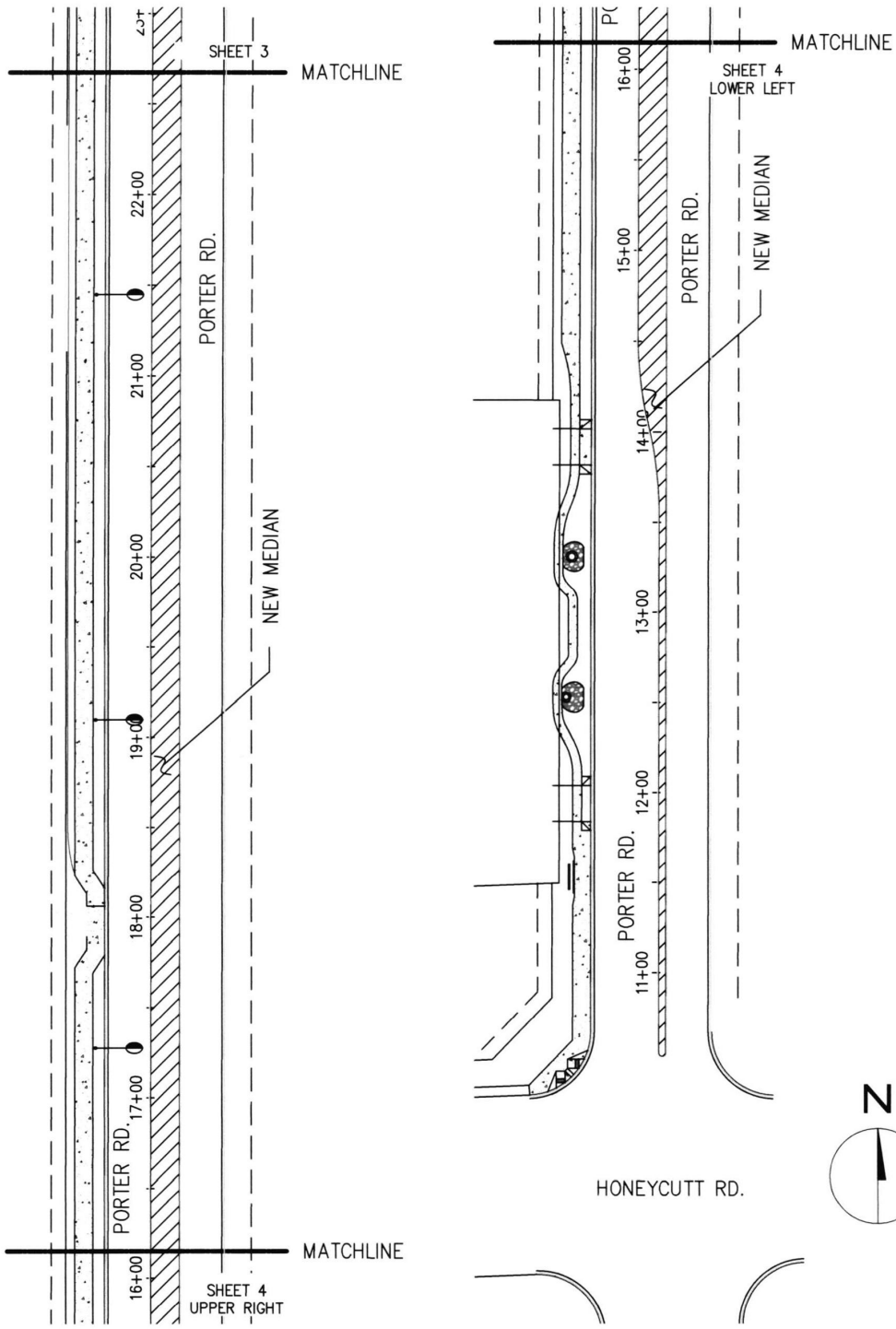


SHEET:
3 OF 5

DATE: 08/08/22
DRAWN: E.R.

EXHIBIT 'A' - PORTER ROAD IMPROVEMENTS
CITY OF MARICOPA, AZ.





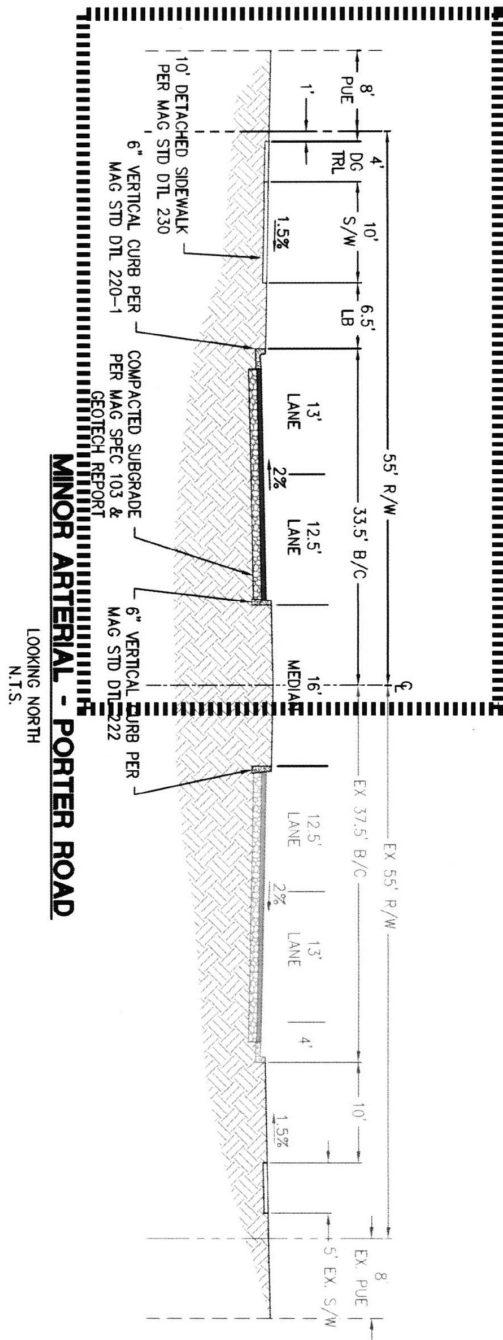
SHEET:
4 OF 5

DATE: 08/08/22
DRAWN: E.R.

EXHIBIT 'A' - PORTER ROAD IMPROVEMENTS
CITY OF MARICOPA. AZ.



WEST SIDE OF PORTER RD. TO BE
ACCEPTED FOR MAINTANENCE



SHEET:
5 OF 5

DATE: 08/08/22
DRAWN: E.R.

EXHIBIT 'A' - PORTER ROAD IMPROVEMENTS

CITY OF MARICOPA, AZ.

